

# FRZ BF C

## FRENZY Tap Range Frenzy Bath Filler Chrome



### Specification

<b>Product Type:</b>	Bathroom Tap
<b>Main Construction Material:</b>	Brass
<b>Mount Type:</b>	Deck
<b>Handle Type:</b>	Lever
<b>Connection Inlet:</b>	3/4" BSP
<b>Connection Outlet:</b>	M28 Flow Straightener
<b>Number of Tap Holes:</b>	2
<b>Valve/Cartridge Type:</b>	3/4" Ceramic Disc Valve
<b>Plumbing System Requirements:</b>	Suitable for all plumbing systems, ideally balanced
<b>Minimum Dynamic Pressure (bar):</b>	0.2 bar
<b>Maximum Dynamic Pressure (bar):</b>	5.0 bar
<b>Maximum Hot Water Temperature °C:</b>	65°C
<b>Maximum Static Pressure (bar):</b>	10 bar
<b>Flow Type:</b>	Single
<b>Isolation Included:</b>	No

### Features:

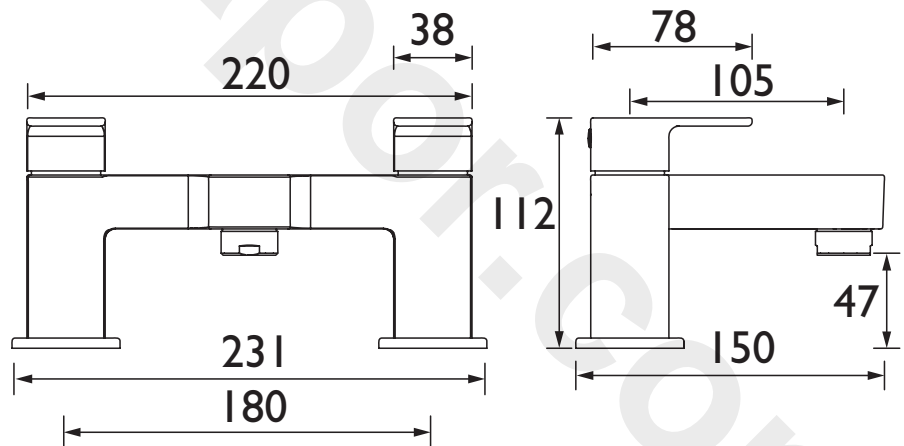
- Long life and easy to use 1/4 turn ceramic disc valves
- Metal back nuts for added durability
- Easy-to-use lever handles
- Chrome plated to BS EN 248

### Product Certifications:



WRAS Certificate No: 2004910  
WRAS Expiry Date: 30/04/2025

### Dimensions (measurements in mm)



For more products, visit our website:  
<http://www.bristan.com>



### Flow Rates (l/min)

System Pressure (bar)	0.2	0.5	1	2	3	5
FRZ BF C (mixed)	29.5	48.6	68.3	97.6	119.5	154.2

## TECHNICAL DATA SHEET



# BRISTAN

D5